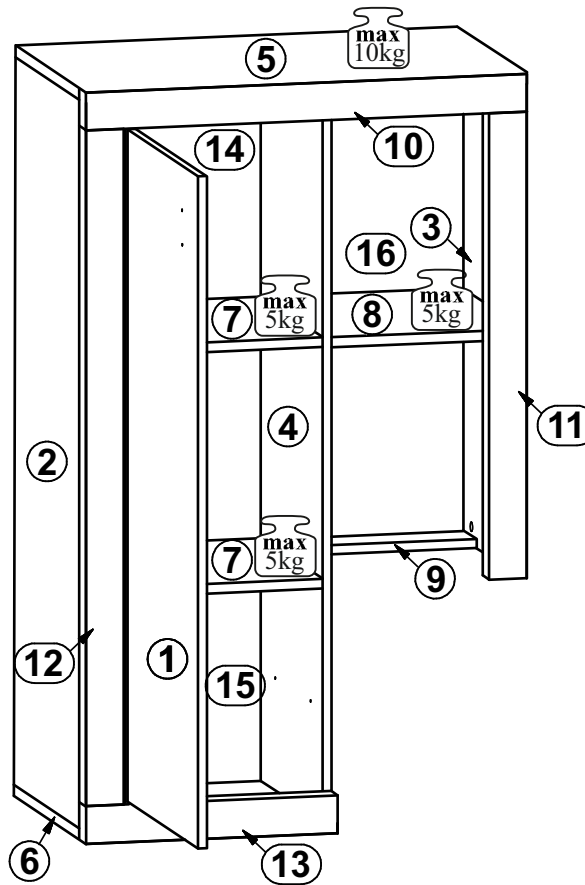
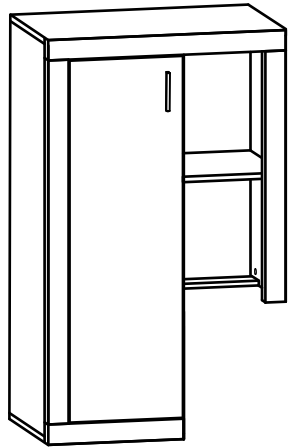


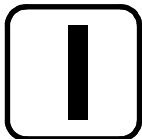
240 min

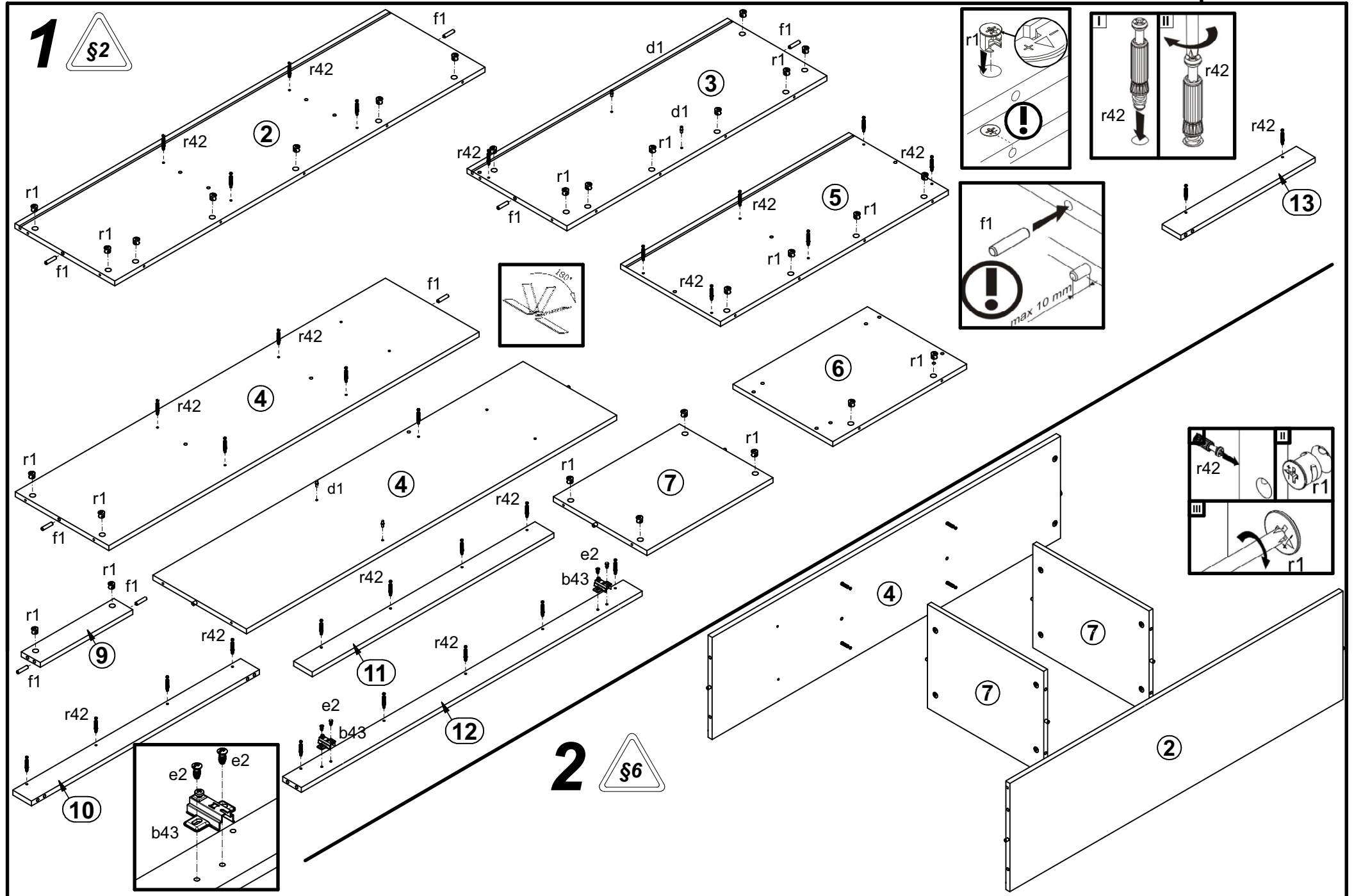


4x a132	4x a44	4x b19	4x b43	4x c235	8x d1	4x d3	18x e1	8x e2	4x e5	5x e27	36x f1	18x f6
6x f35	10x k43	37x l2	2x m3	9x n108	2x n14/2	1x n165L	1x n165P	6x o1	1x o21	6x p1	10x p9	2x p17
4x p21	23x p38	16x p51	9x p55	2x p75	2x p76	79x r1	2x r23	77x r42	34x s2	2x s59	1x z1	

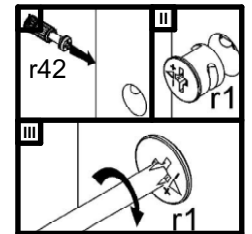
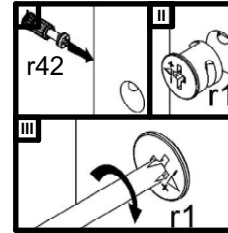
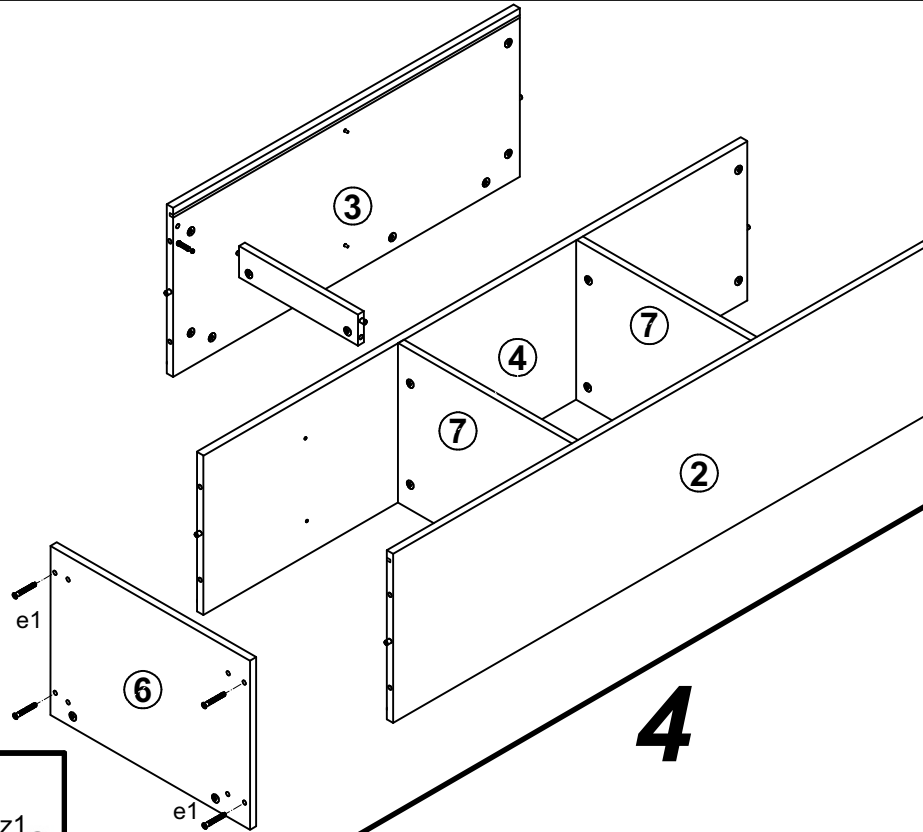


A	B	C (mm)		Colli
1	N77-003	795	279	4/4
2	N77-108	888	284	4/4
3	N77-109	574	284	4/4
4	N77-110	888	264	4/4
5	N77-205	600	284	4/4
6	N77-206	344	284	4/4
7	N77-303	312	264	4/4
8	N77-304	239	264	4/4
9	N77-401	239	60	4/4
10	N77-502	600	60	4/4
11	N77-509	530,5	60	4/4
12	N77-510	801	60	4/4
13	N77-511	344,5	60	4/4
14	N77-904	600	325	4/4
15	N77-905	298	325	4/4
16	N77-906	576	252	4/4

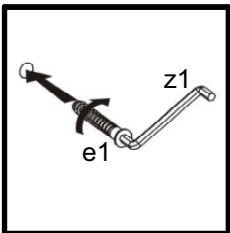
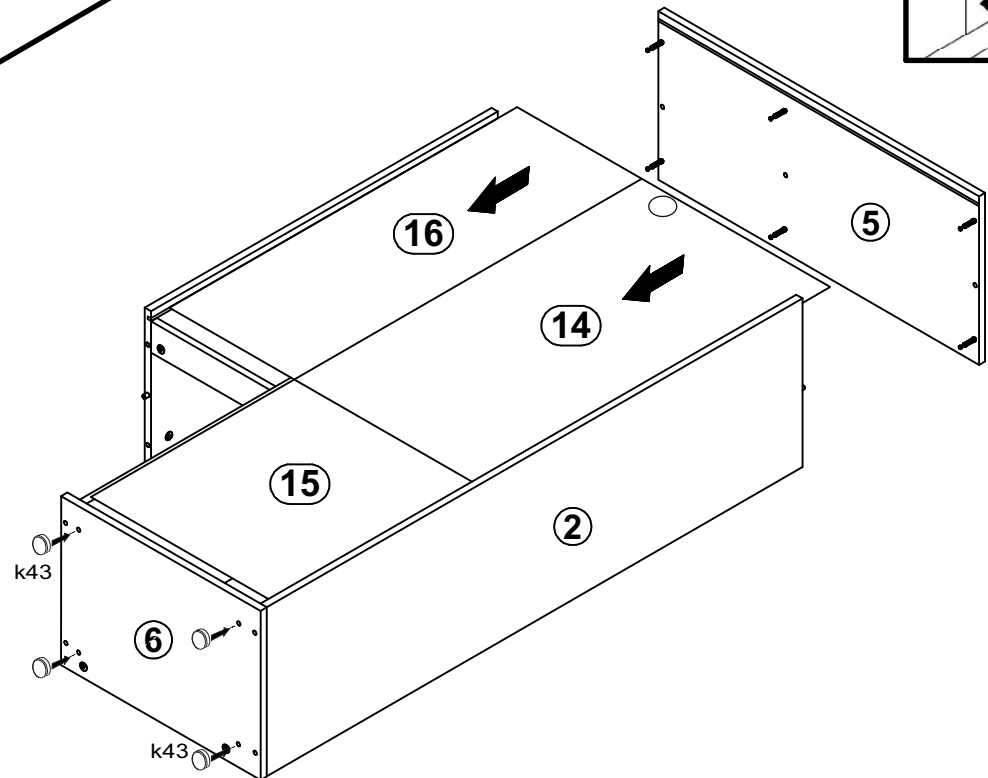




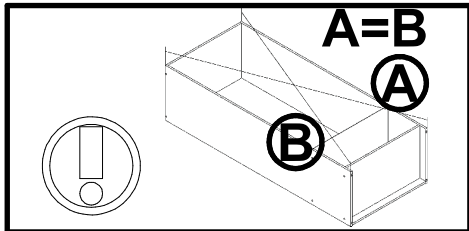
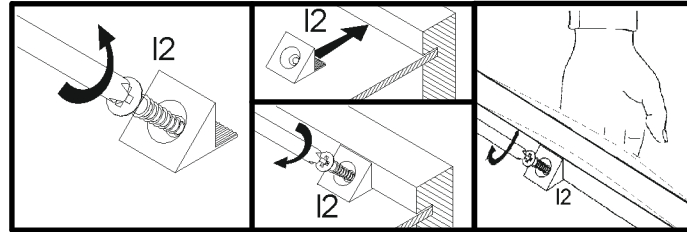
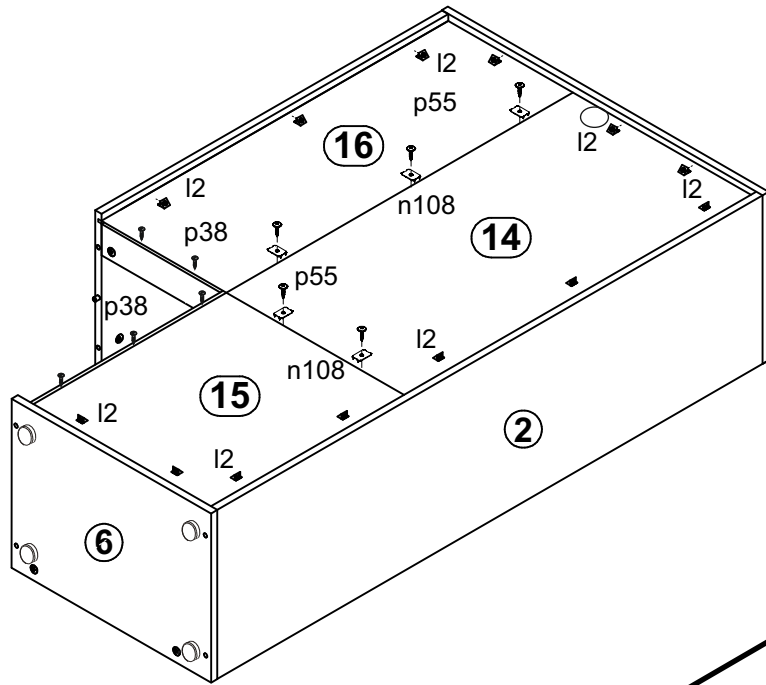
3



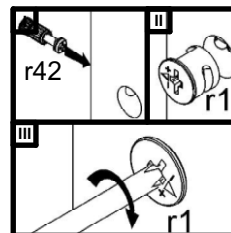
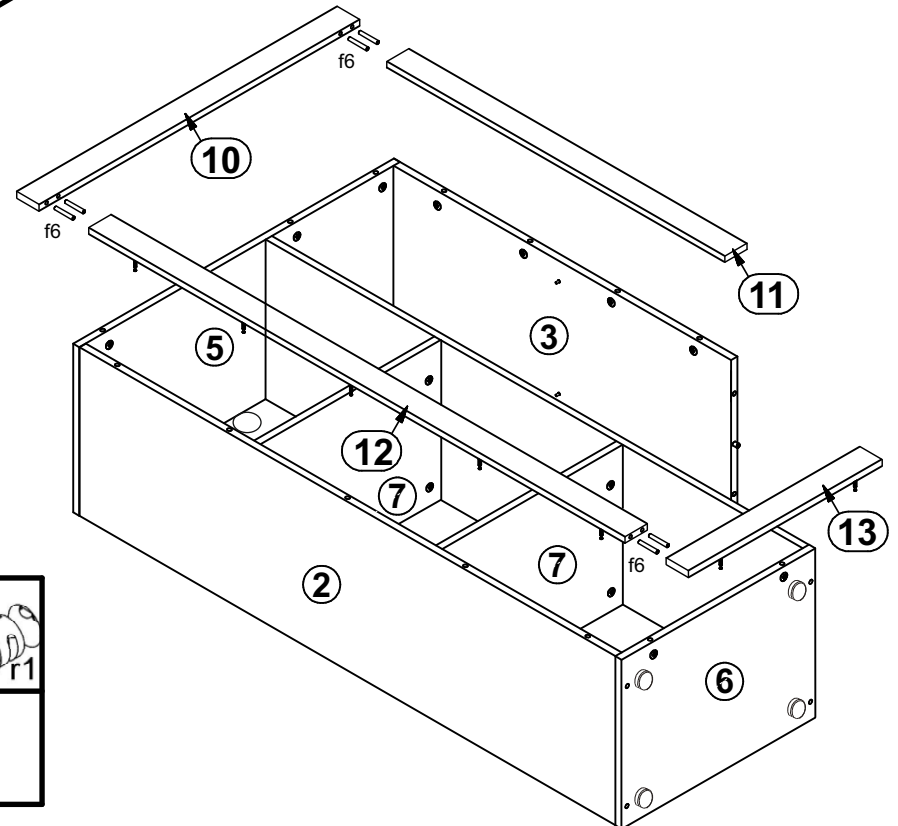
4



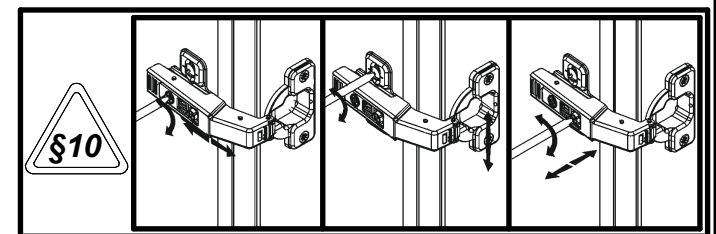
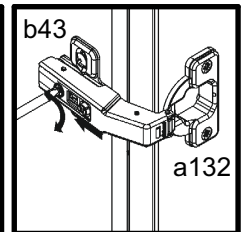
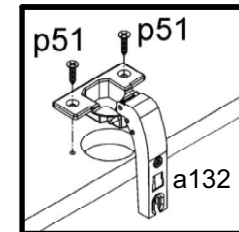
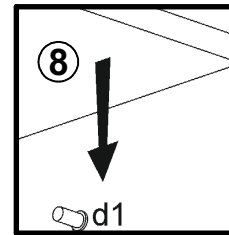
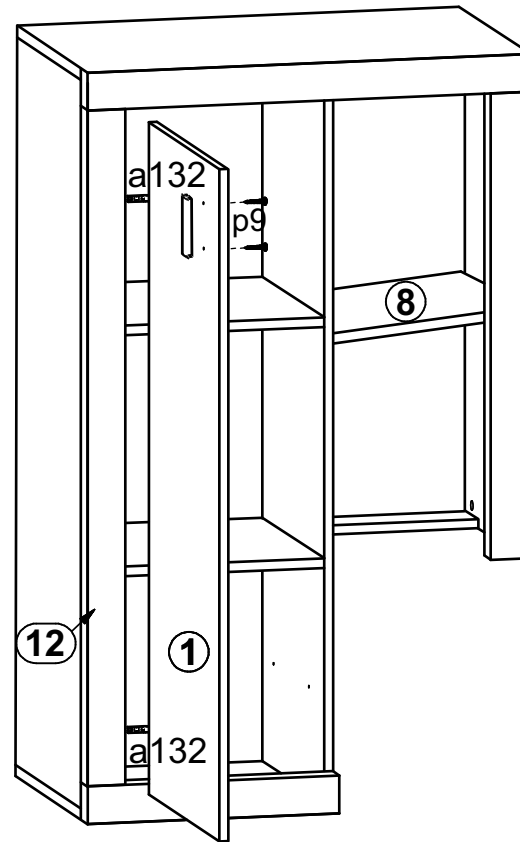
5

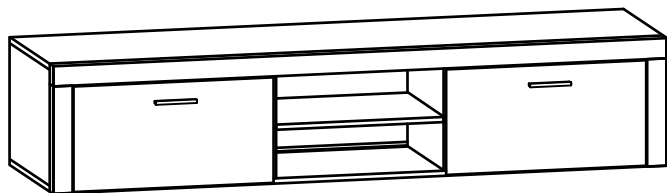


6

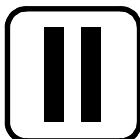
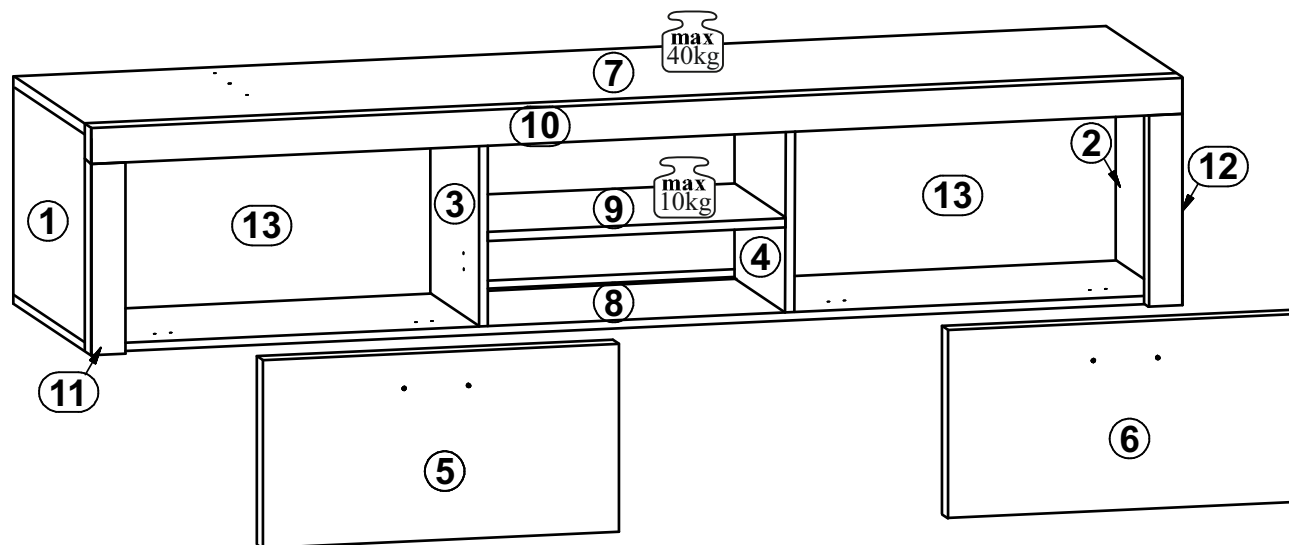


7

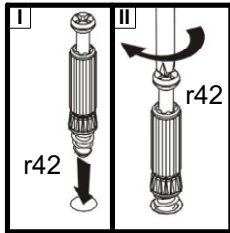
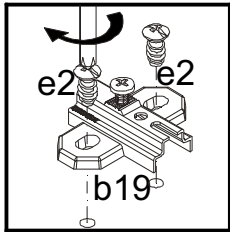
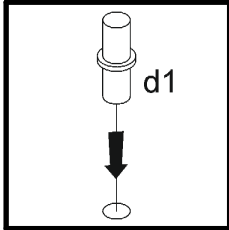
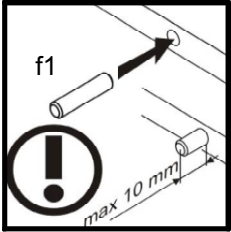
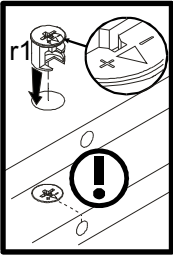
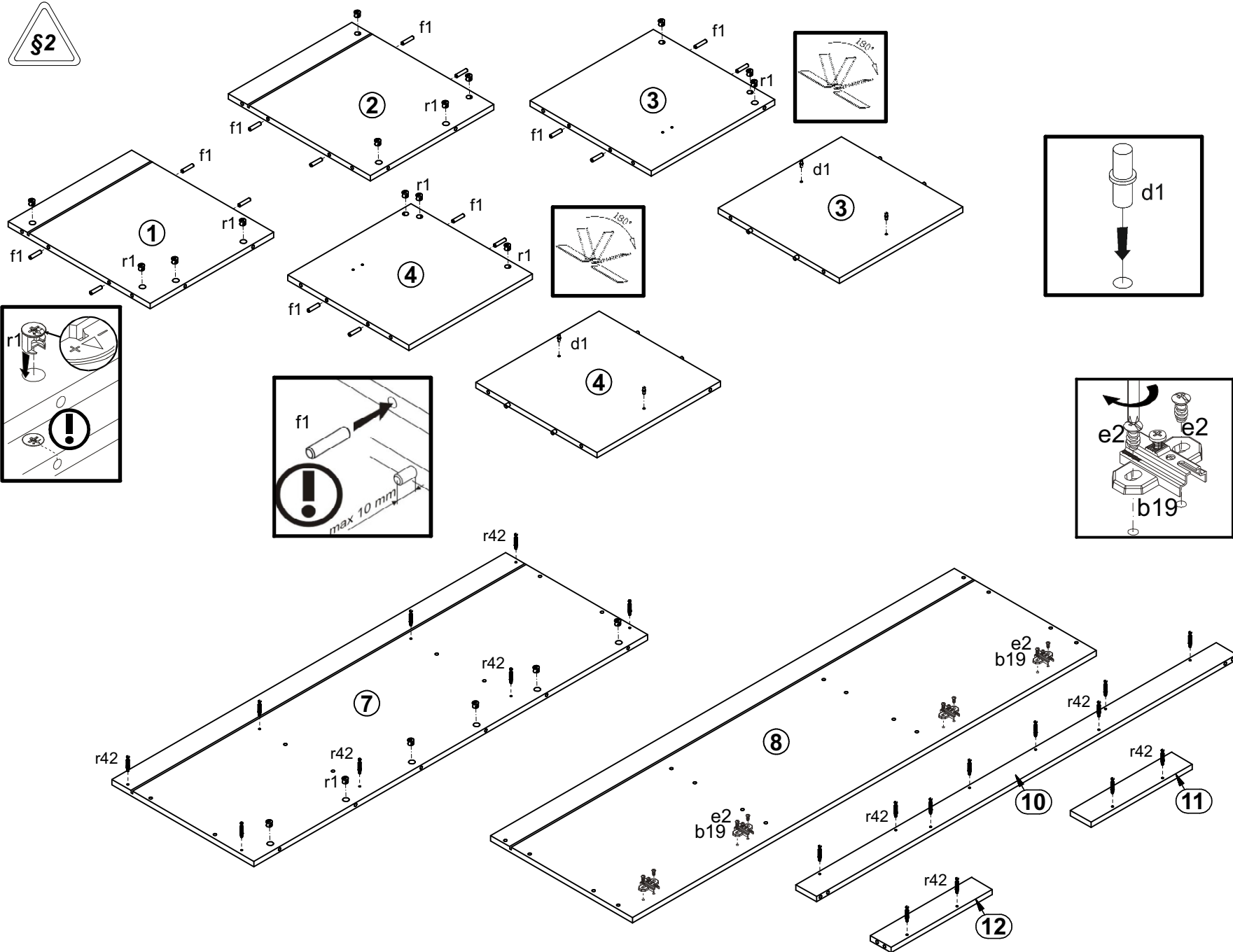




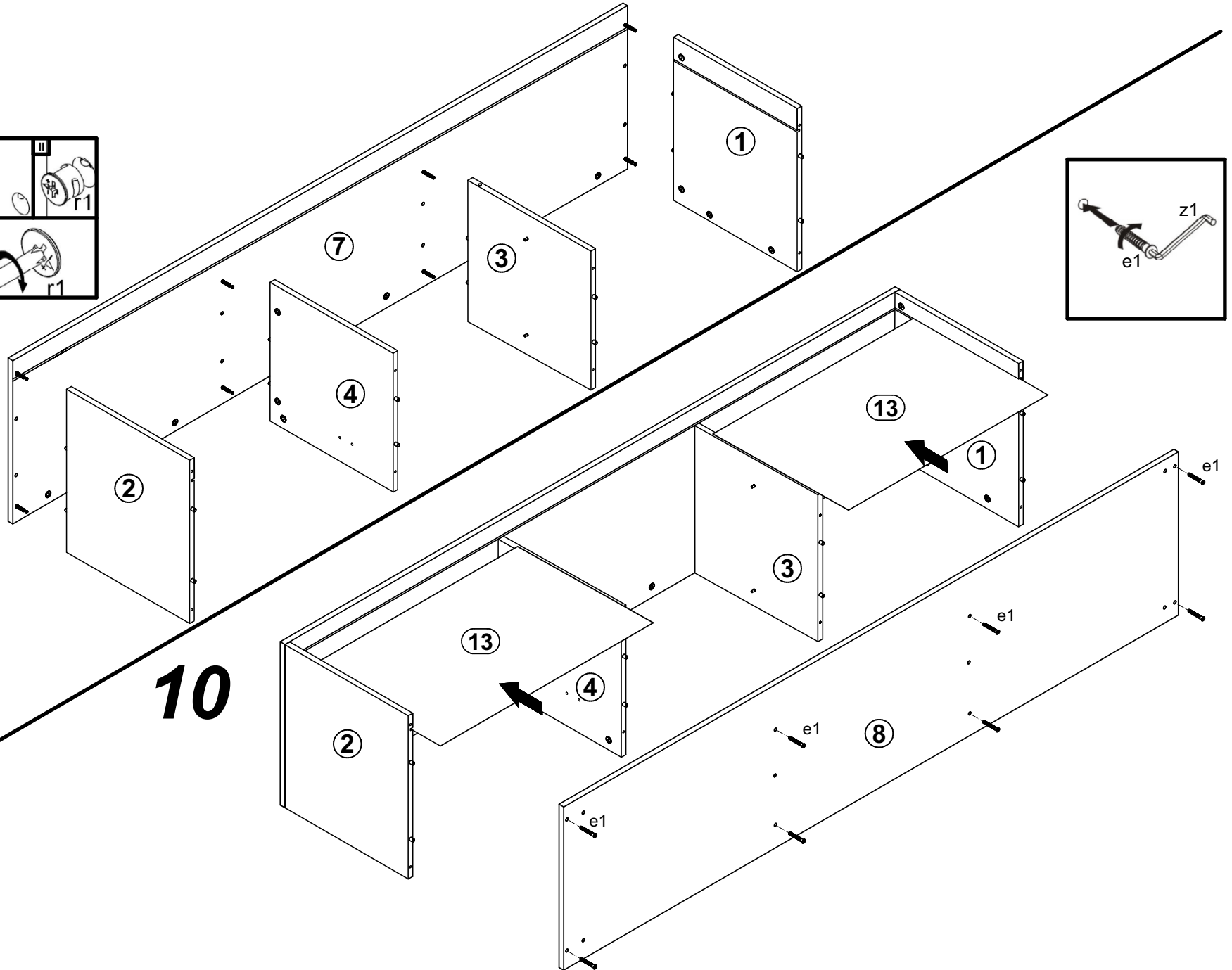
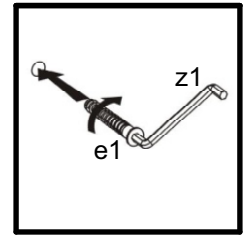
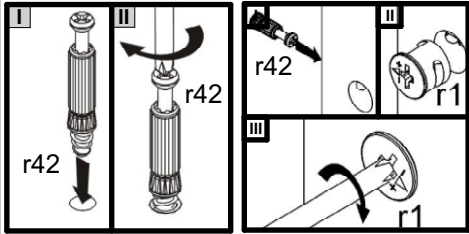
A	B	C (mm)		Colli
1	N77-104	298	380	2/4
2	N77-105	298	380	2/4
3	N77-106	298	311	2/4
4	N77-107	298	311	2/4
5	N77-001	441	265	1/4
6	N77-002	441	265	1/4
7	N77-203	1399	380	1/4
8	N77-204	1399	380	1/4
9	N77-302	377	311	1/4
10	N77-506	1400	60	1/4
11	N77-507	271	60	1/4
12	N77-508	271	60	1/4
13	N77-903	308	497	1/4



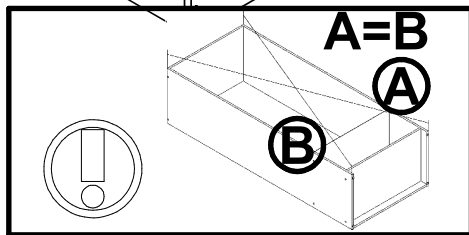
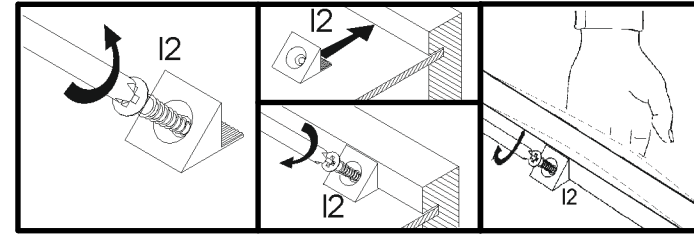
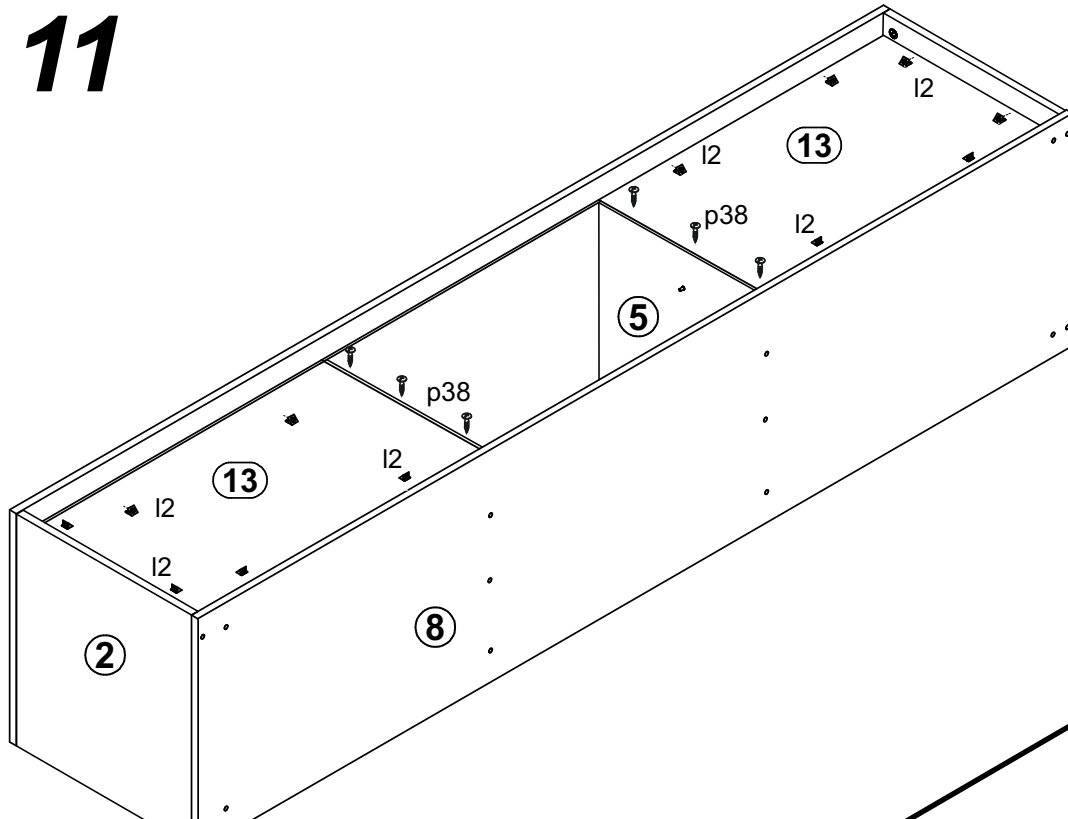
8



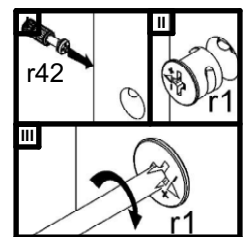
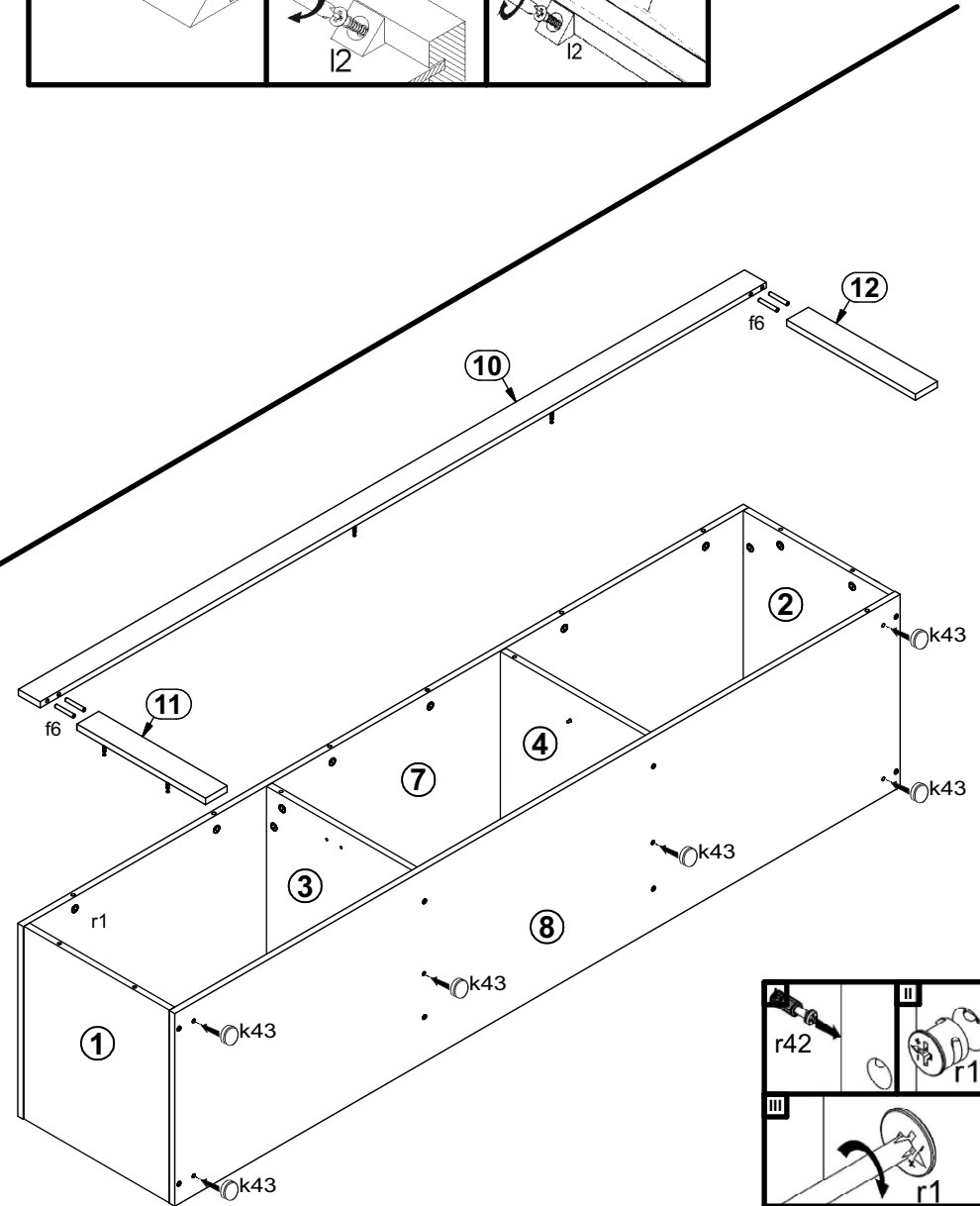
9 



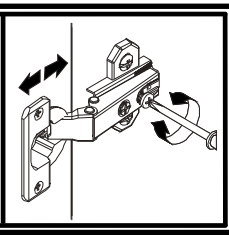
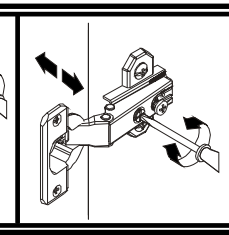
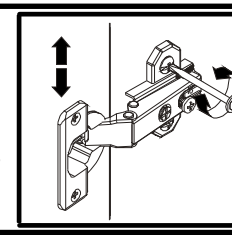
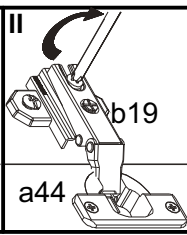
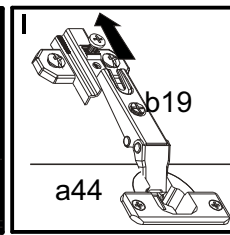
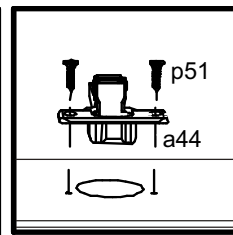
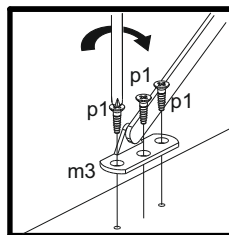
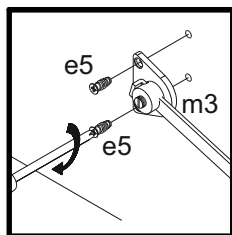
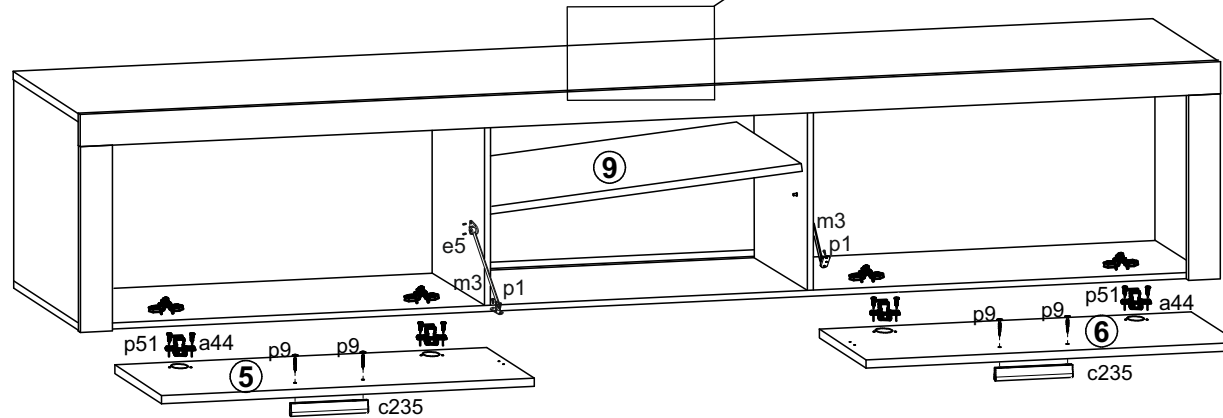
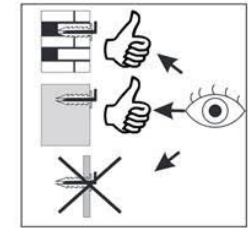
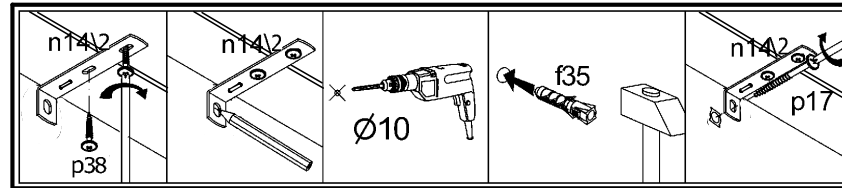
11

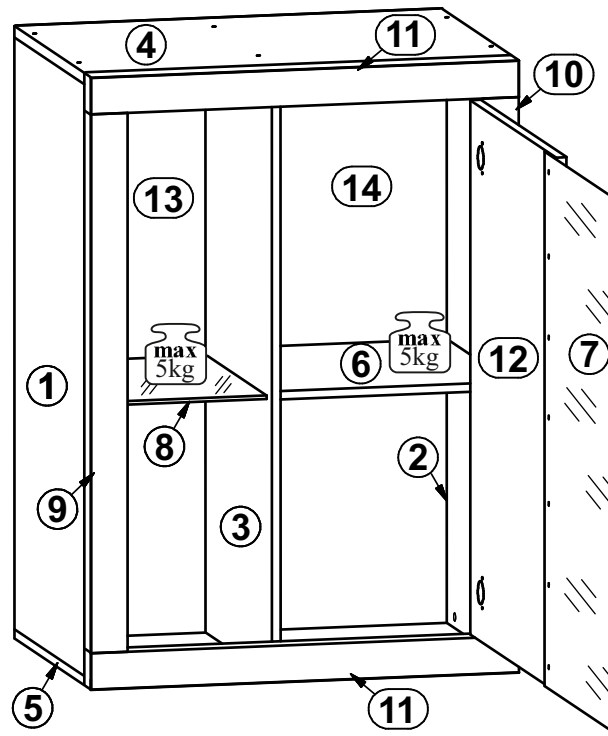
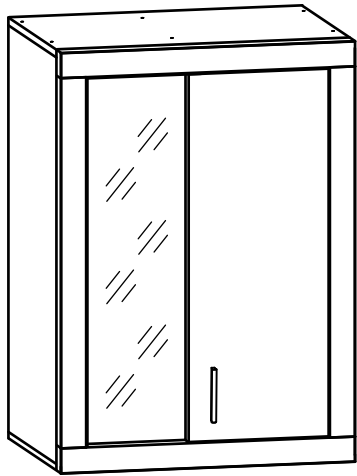


12



13

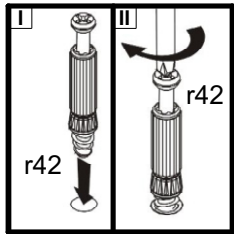
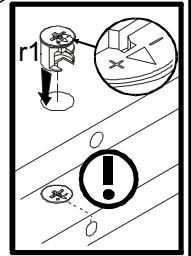
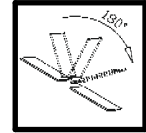
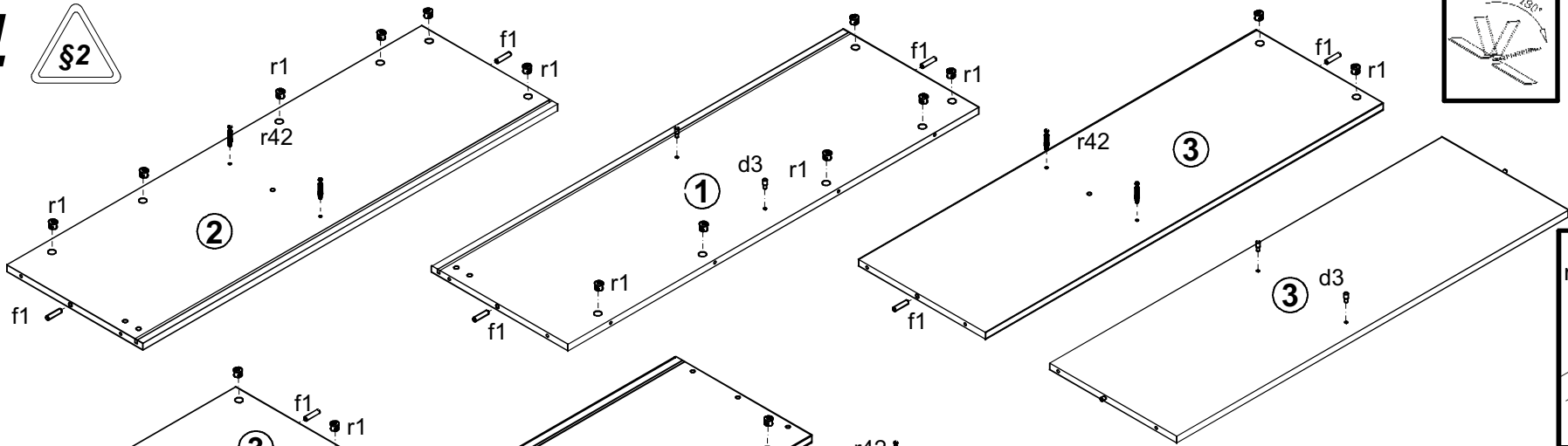




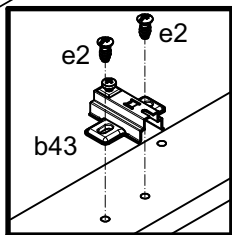
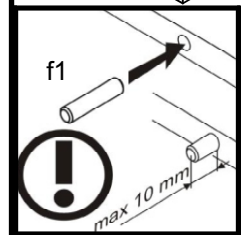
A	B	C (mm)		Colli
1	N77-101	748	284	3/4
2	N77-102	748	284	3/4
3	N77-103	748	258	3/4
4	N77-201	600	284	3/4
5	N77-202	600	284	3/4
6	N77-301	314	258	3/4
7	N77-505	655	229	3/4
8	N77-501	235	230	3/4
9	N77-503	661	60	3/4
10	N77-504	661	60	3/4
11	N77-501	655	60	3/4
12	N77-701	655	275	3/4
13	N77-901	758	250	3/4
14	N77-902	758	327	3/4



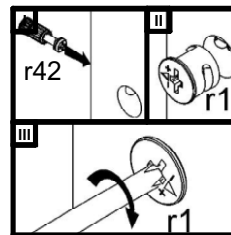
14



r42

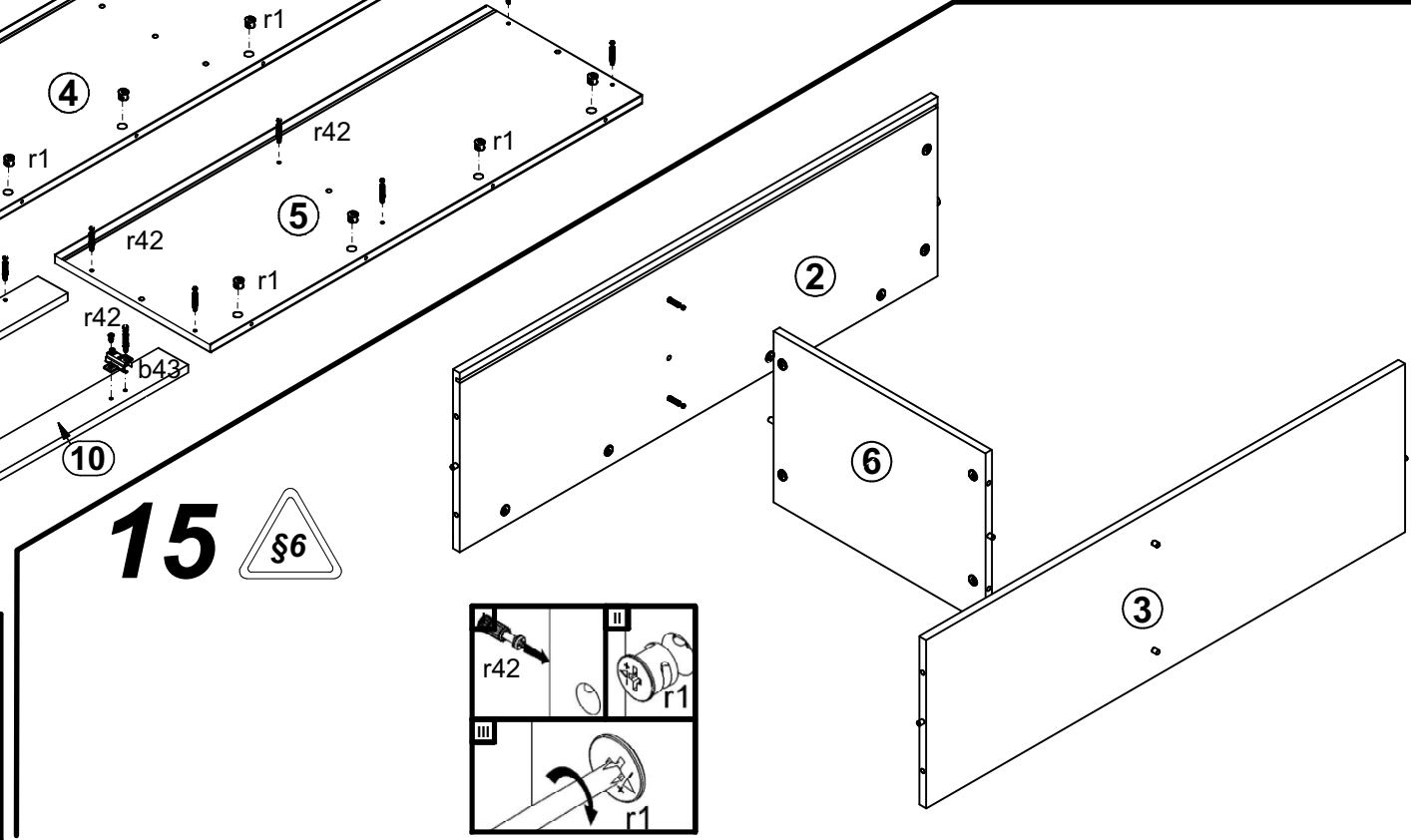


e2
b43

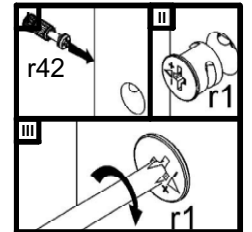
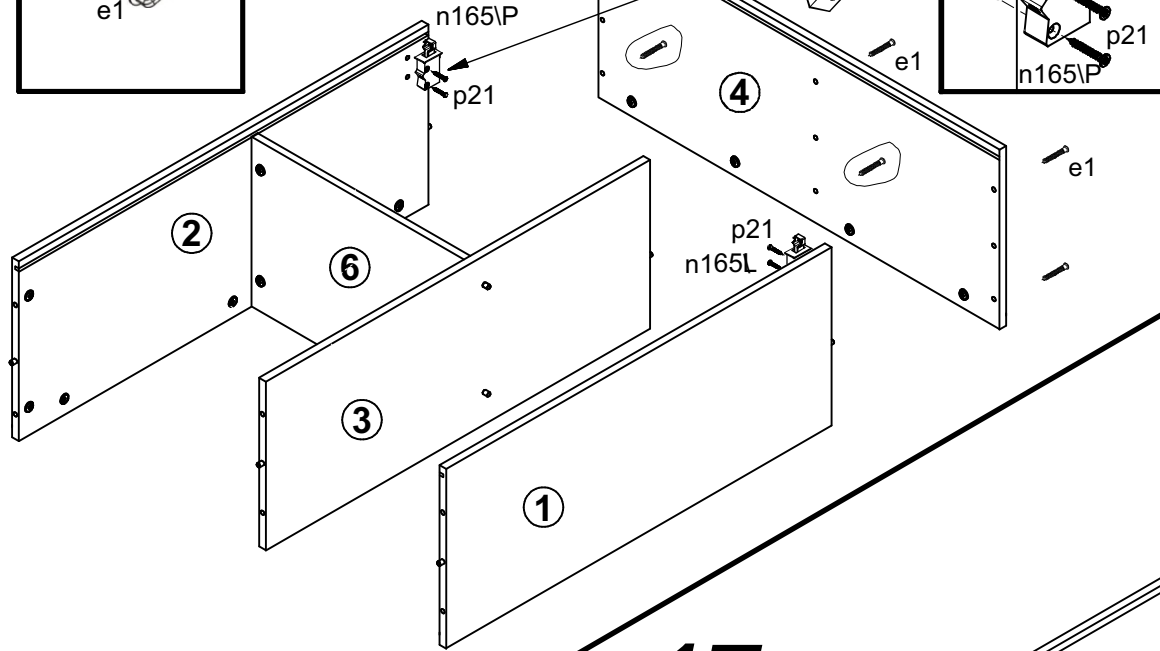
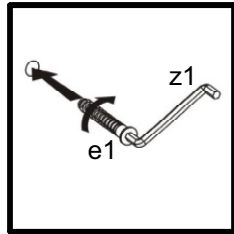


r42
r1

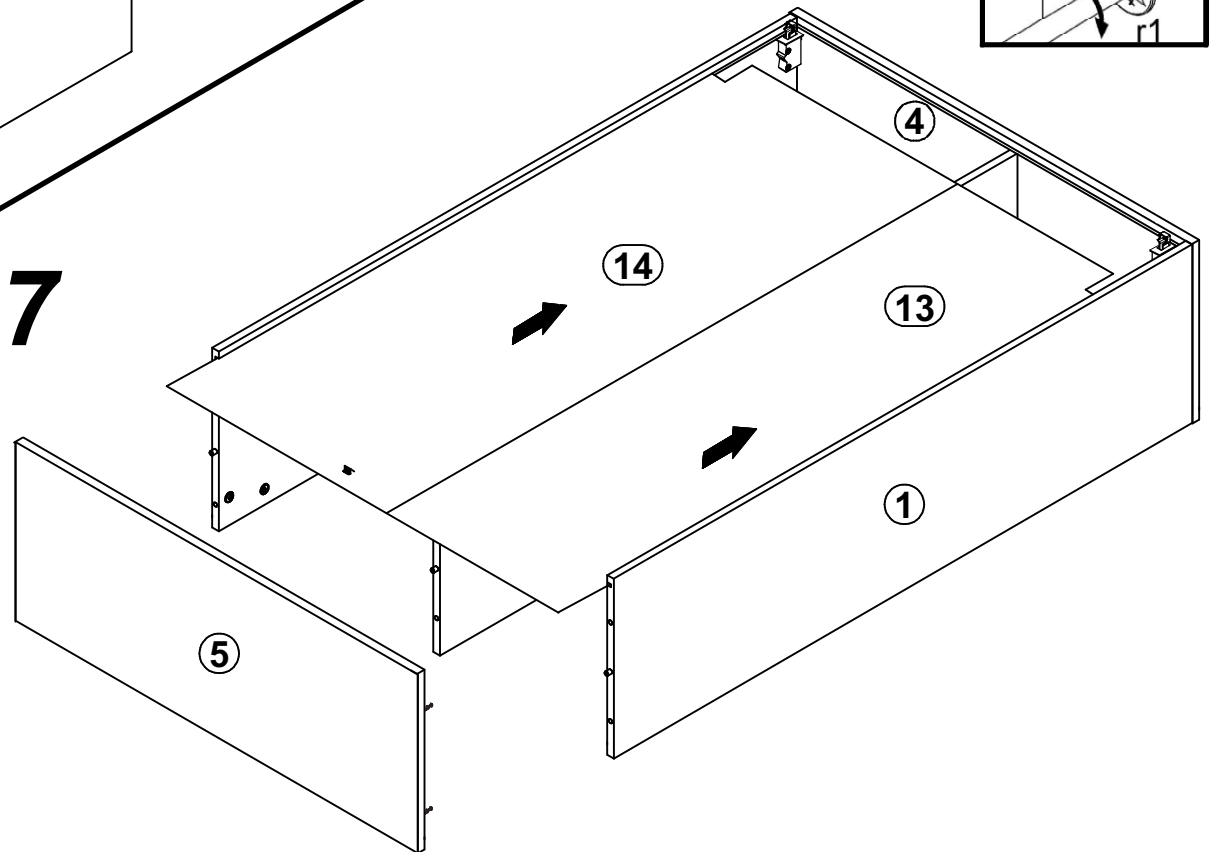
15



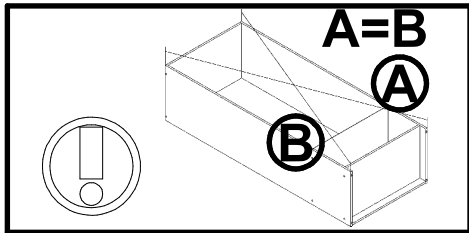
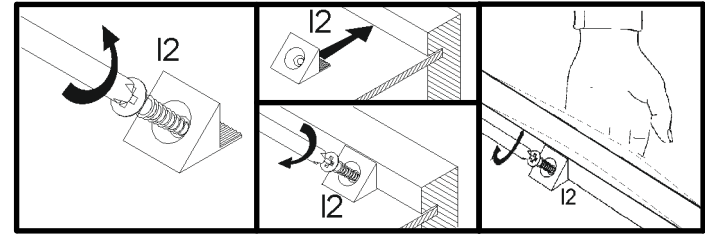
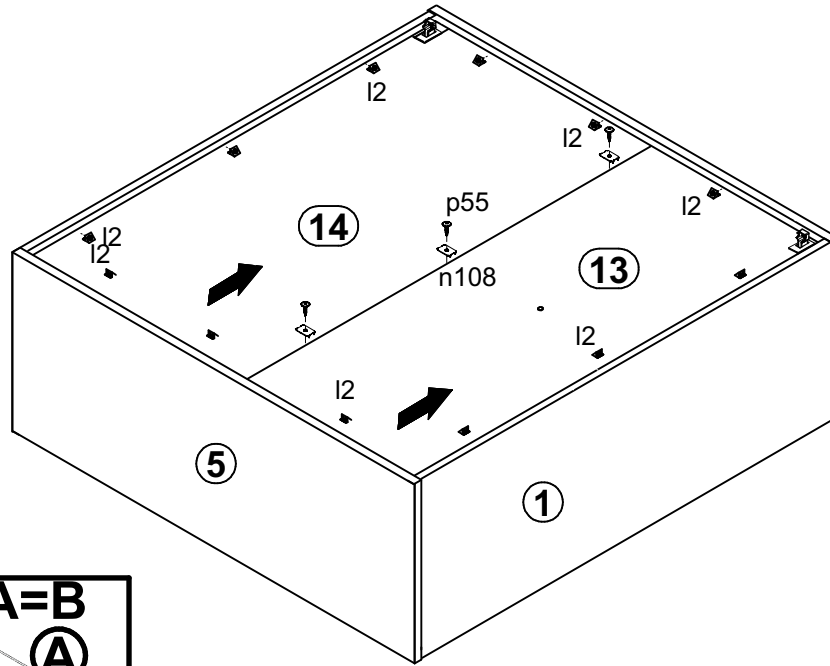
16



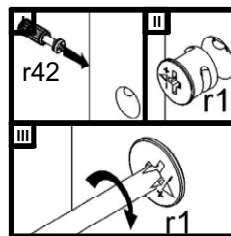
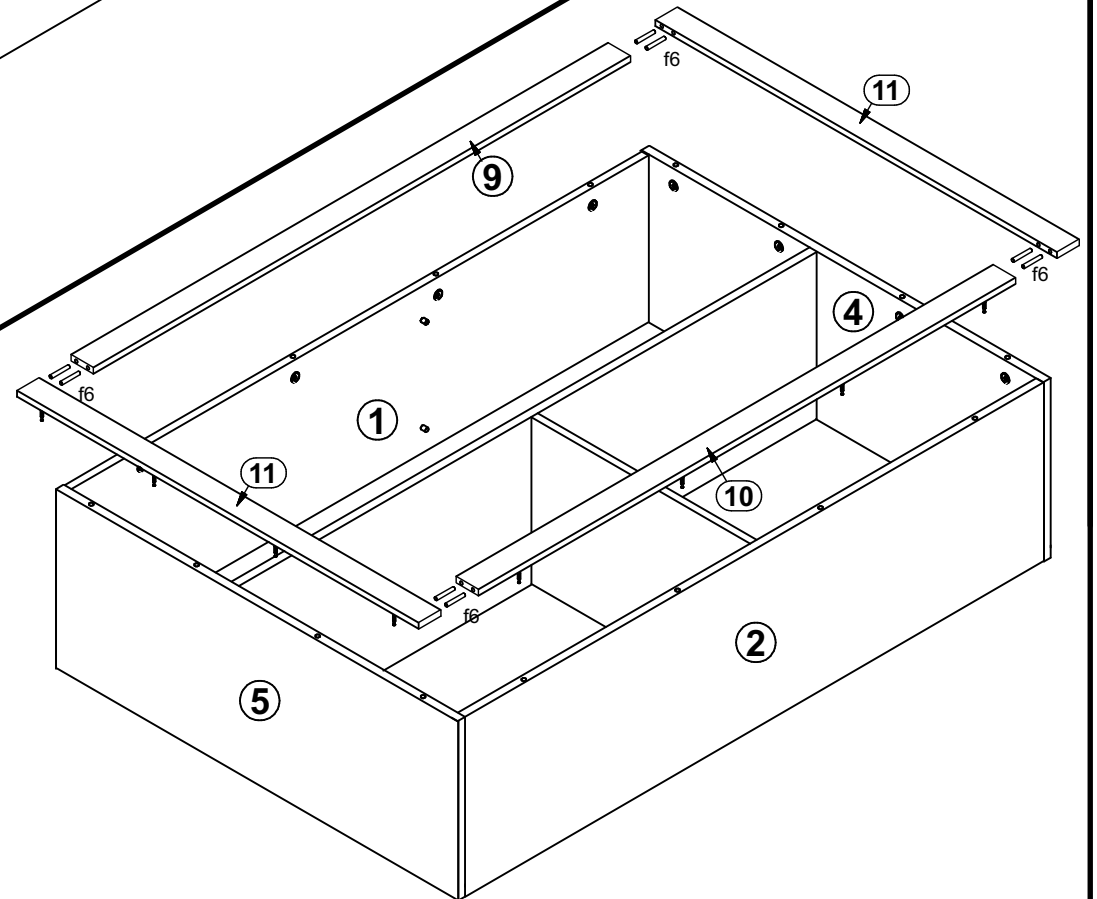
17



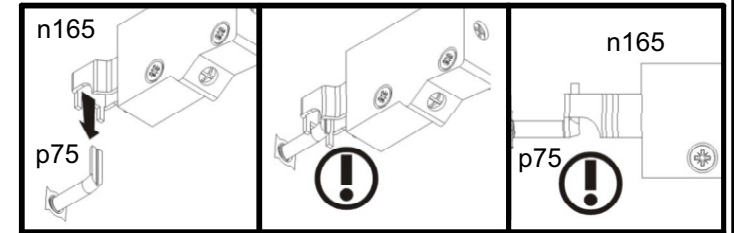
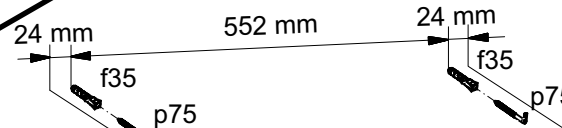
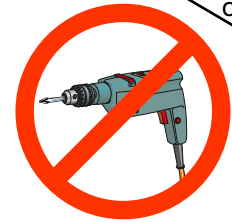
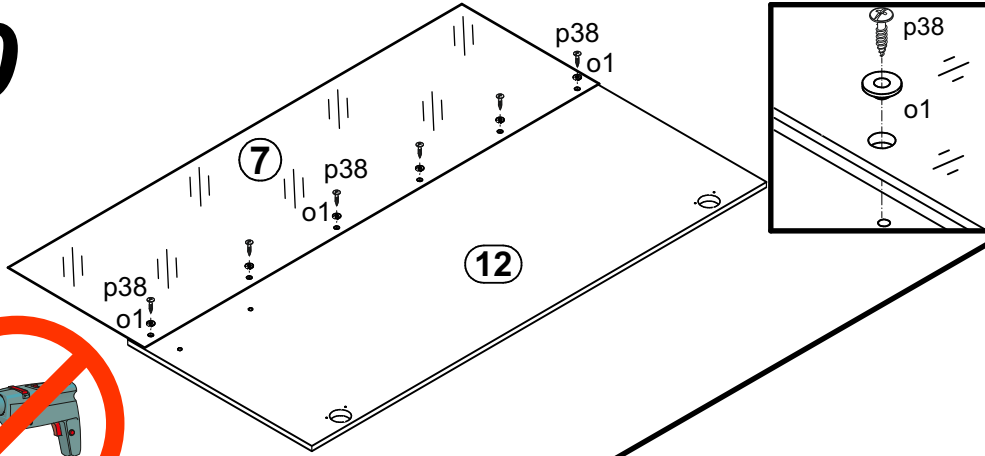
18



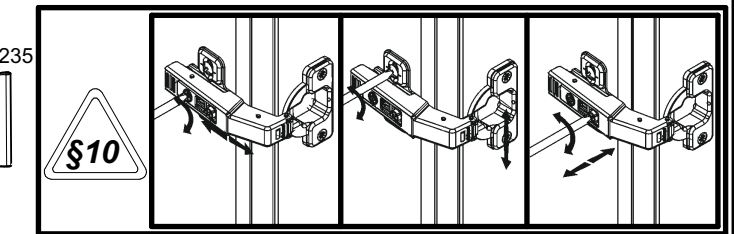
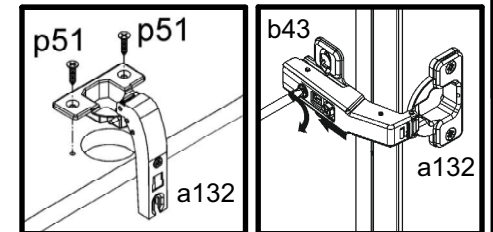
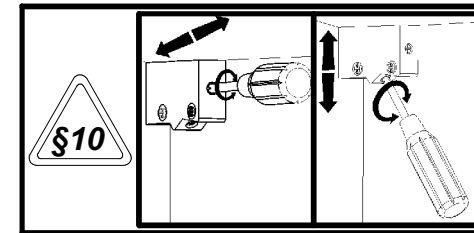
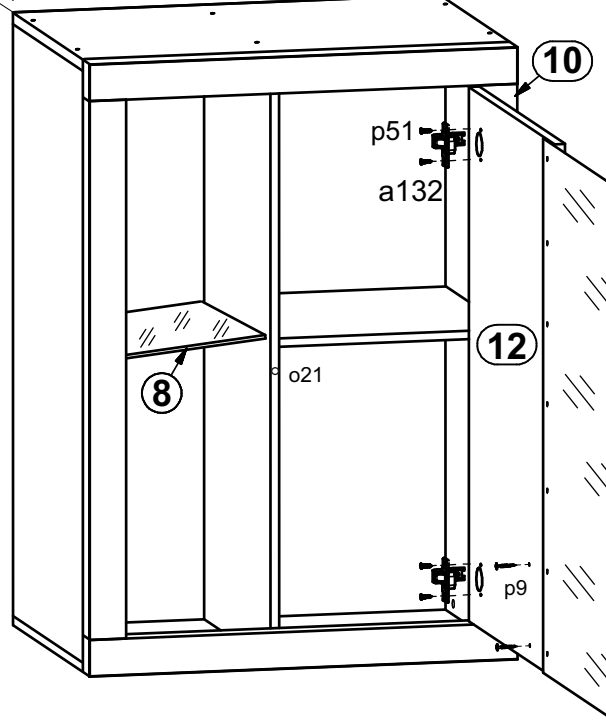
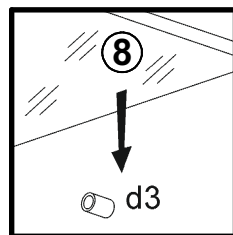
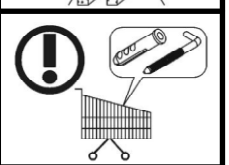
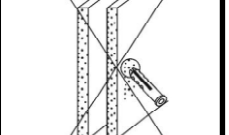
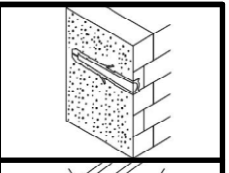
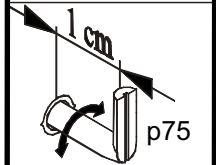
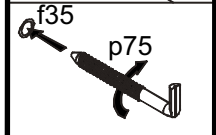
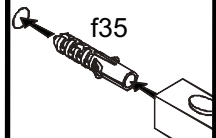
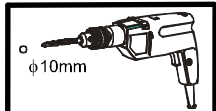
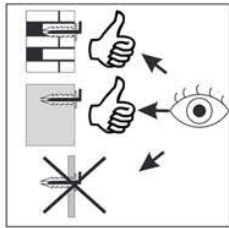
19



20

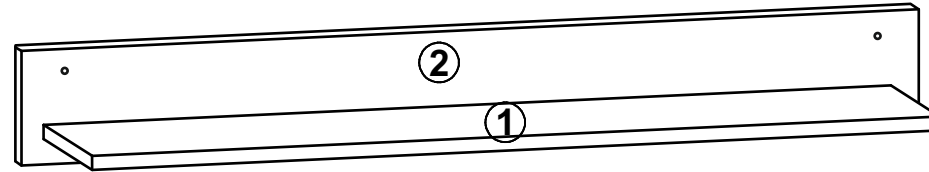


21



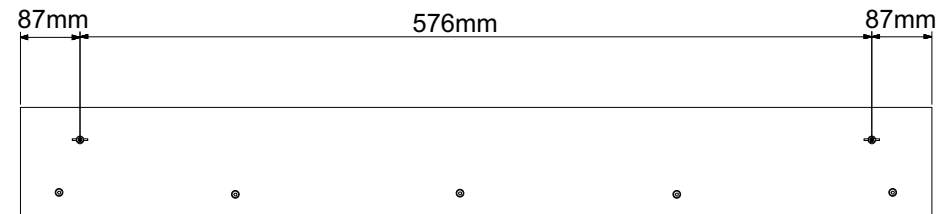
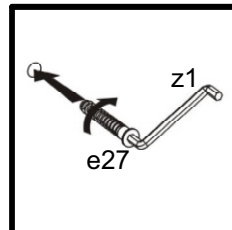
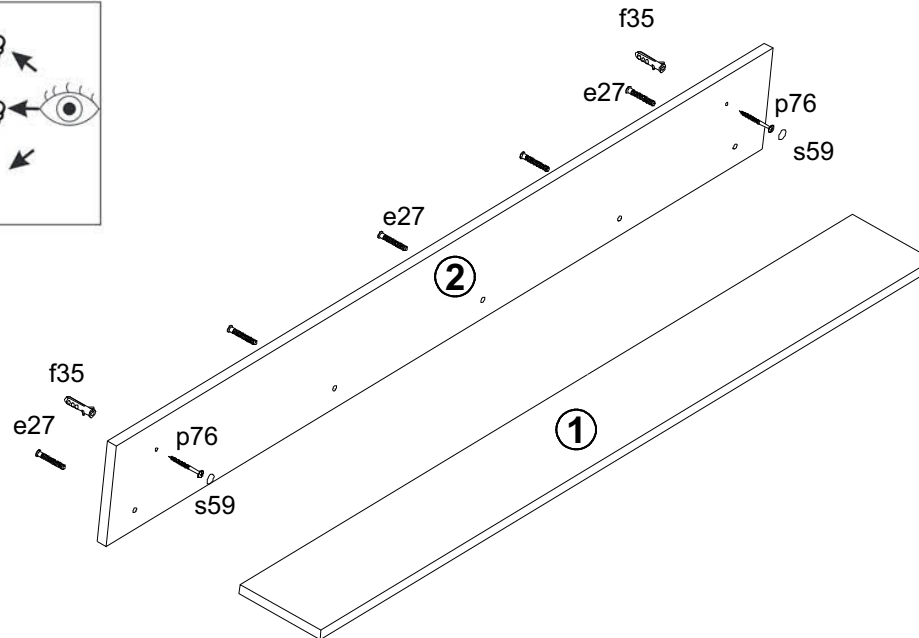
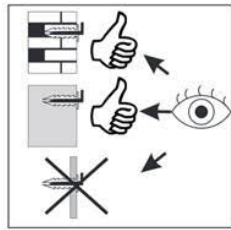
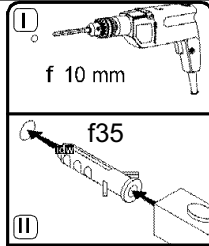


A	B	C (mm)		Colli
1	N77-305	650	154	2/4
2	N77-402	750	100	2/4



IV

22



23

